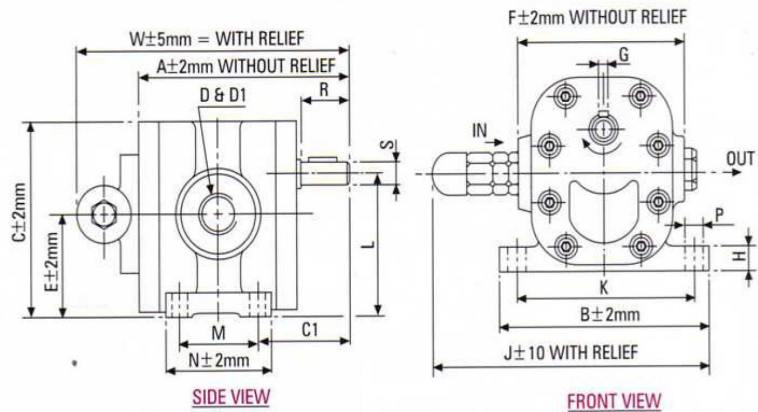
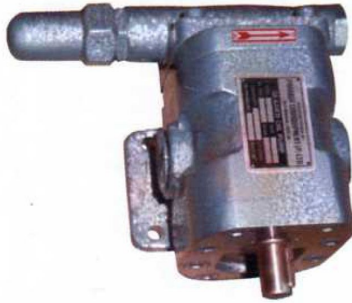


PRAKASH

MODEL - PLU

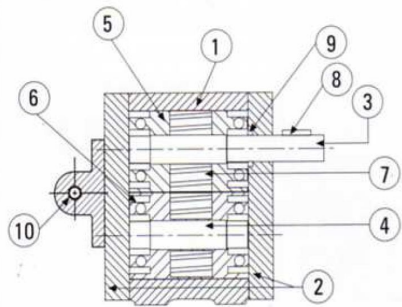


SPECIFICATIONS & PRINCIPAL DIMENSIONS FOR GEAR OIL PUMP MODEL - PLU

MODEL	LPM	GPM	NOM. R.P.M.	HEP Kg/Cm ²	KW	HP	SLM	A	B	C	C1	D & D1 B S P	E	F	G	H	J	K	L	M	N	ØP	R	ØS	W
PLU-5	5	1.10	1500	5	0.37	0.5	≤0.5	107	116	105	56	1/2"	57	90	5	14	155	93	71	30	48	10	28	14	135
PLU-10	10	2.20	1500	5	0.75	1.0	≤0.5	126	130	114	60	3/4"	60	108	5	15	175	110	80	40	60	10	29	15	168
PLU-12	12	2.64	1500	5	0.75	1.0	≤0.5	126	130	114	60	3/4"	60	108	5	15	175	110	80	40	60	10	29	15	168
PLU-15	15	3.30	1500	5	0.75	1.0	≤0.5	126	130	114	60	3/4"	60	108	5	15	175	110	80	40	60	10	29	15	168
PLU-18	18	3.96	1500	5	0.75	1.0	≤0.5	126	130	114	60	3/4"	60	108	5	15	175	110	80	40	60	10	29	15	168
PLU-20	20	4.40	1500	5	0.75	1.0	≤0.5	126	130	114	60	3/4"	60	108	5	15	175	110	80	40	60	10	29	15	168
PLU-25	25	5.50	1500	5	1.1	1.5	≤0.5	155	140	130	64	3/4"	67	110	6	15	-	114	90	60	82	10	30	18	198
PLU-30	30	6.60	1500	5	1.1	1.5	≤0.5	155	140	130	64	3/4"	67	110	6	15	-	114	90	60	82	10	30	18	198
PLU-35	35	7.70	1500	5	1.1	1.5	≤0.5	155	140	130	64	3/4"	67	110	6	15	-	114	90	60	82	10	30	18	198
PLU-42	42	9.25	1500	5	1.5	2.0	≤0.5	170	175	140	79	1"	71	130	6	18	-	146	97	63	90	12	28	19	215
PLU-50	50	11.00	1500	5	1.5	2.0	≤0.5	170	175	140	79	1"	71	130	6	18	-	146	97	63	90	12	28	19	215
PLU-52	52	11.44	1500	5	1.5	2.0	≤0.5	170	175	140	79	1"	71	130	6	18	-	146	97	63	90	12	28	19	215
PLU-65	65	14.30	1500	5	2.2	3.0	≤0.5	175	176	140	75.5	1"	71	130	6	16	-	146	97	63	95	14	30	22	221
PLU-70	70	15.40	1500	5	2.2	3.0	≤0.5	175	176	140	75.5	1"	71	130	6	16	-	146	97	63	95	14	30	22	221
PLU-100	100	22.00	1500	5	3.7	5.0	≤0.5	210	202	170	101	1 1/2"	86	150	8	17	-	166	118	75	105	14	42	28	265
PLU-125	125	27.50	1500	5	3.7	5.0	≤0.5	210	202	170	101	1 1/2"	86	150	8	17	-	166	118	75	105	14	42	28	265

CONSTRUCTION DETAILS & MATERIALS USED FOR PUMP MODEL - PLU

NO.	DESCRIPTION	MATL.	QTY.
10	BUILT-IN RELIEF VALVE	ASSY	1
9	OIL SEAL	NITRILE	1
8	SHAFT KEY	EN-8	1
7	DR & DN GEARS (HELICAL)	EN-19	2
6	BUSH / BALL BEARINGS	ASSY.	4
5	BEARING BUSHES	C.I./C.S.	4
4	DRIVEN SHAFT	EN-19	1
3	DRIVING SHAFT	EN-19	1
2	BACK & FRONT COVERS	C.I./C.S.	2
1	HOUSING	C.I./C.S.	1



PLU

MODEL

SECTIONAL VIEW

BILL OF MATERIALS